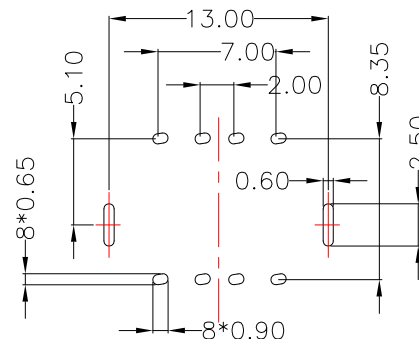




SUA-210V2CI-x-S236

COLOR :

- Black : B
- White : W



RECOMMENDED PCB LAYOUT

SPECIFICATIONS

Electrical:

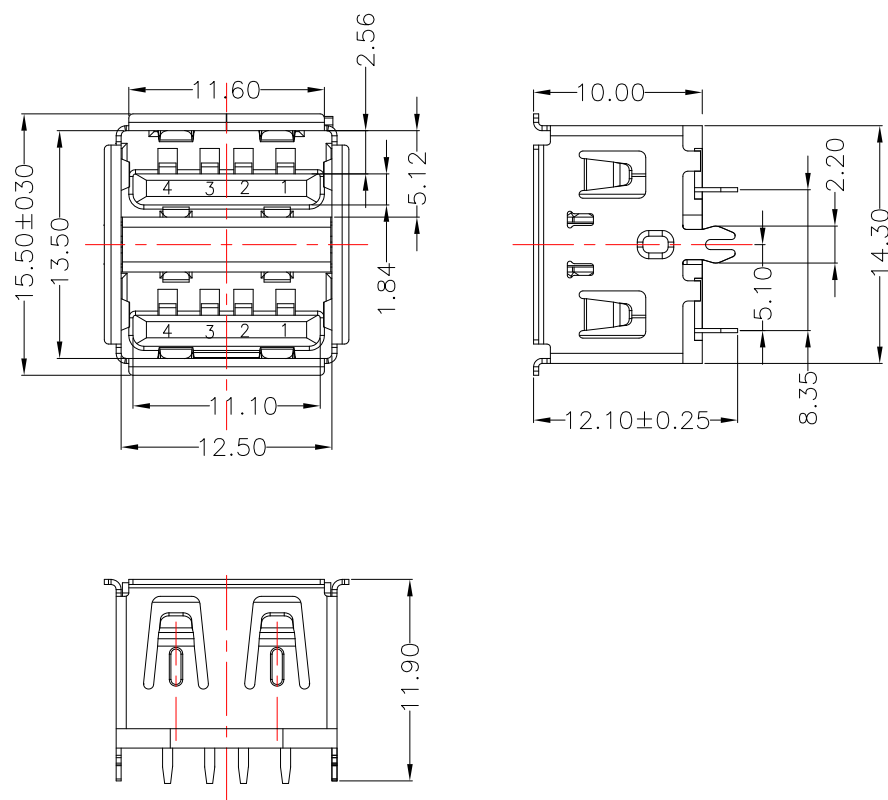
- 1.Contact Resistance: 30 mΩ Max
- 2.Insulation Resistance: 1,000 MΩ Min
- 3.Dielectric Withstanding Voltage: 500V AC
- 5.Mating Force: 35N Max
- 6.Umating Force: 10N Min

Material:

- 1.Housing: PBT
- 2.Contact: Brass
- 3.Shell: Spcc

Finish:

- 1.Contact: Plated Gold in Mating Area ;
Tin Plated on Solder Balls ;
Nickel under plated overall
- 2.Shell: Nickel under Plated surface layer



ITEM NO.	DESCRIPTION	DRAWN	DATE

東莞市高迪電子有限公司
DONG GUAN GAO DI ELECTRONICS CO., LTD

TOLERANCE UNLESS OTHERWISE STATED :

Up to 5 ±0.2
Above 5 ~ 15 ±0.3
Above 15 ~ 30 ±0.4
Above 30 ~ 50 ±0.5
Angle ±0.3°

3RD. ANGEL'S



UNITS MM

DRAWN BY:	DATE	MAT'L	TITLE	CONNECTOR
Jack Lu	09/17/20		MODLE	USB AF 180度 直立式短體10.0有捲邊 雙層
CHECKED BY:	DATE	FINISH	DWG NO.	SUA-210V2CI-x-S236
Jacky Chen	09/17/20		SHEET NO.	1 of 1
APPROVED BY:	DATE	SCALE	PART NO.	SUA-210V2CI-x-S236
Tony Kao	09/17/20	1 : 1		